

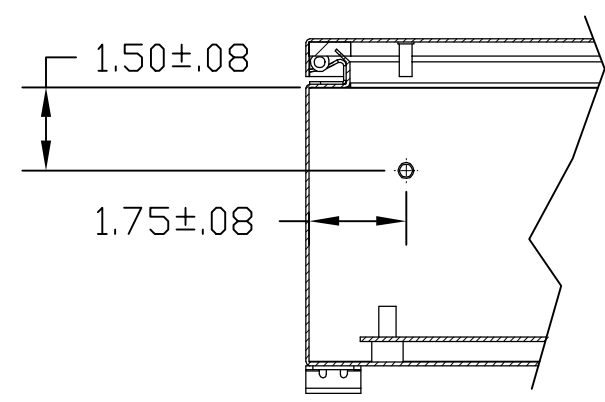
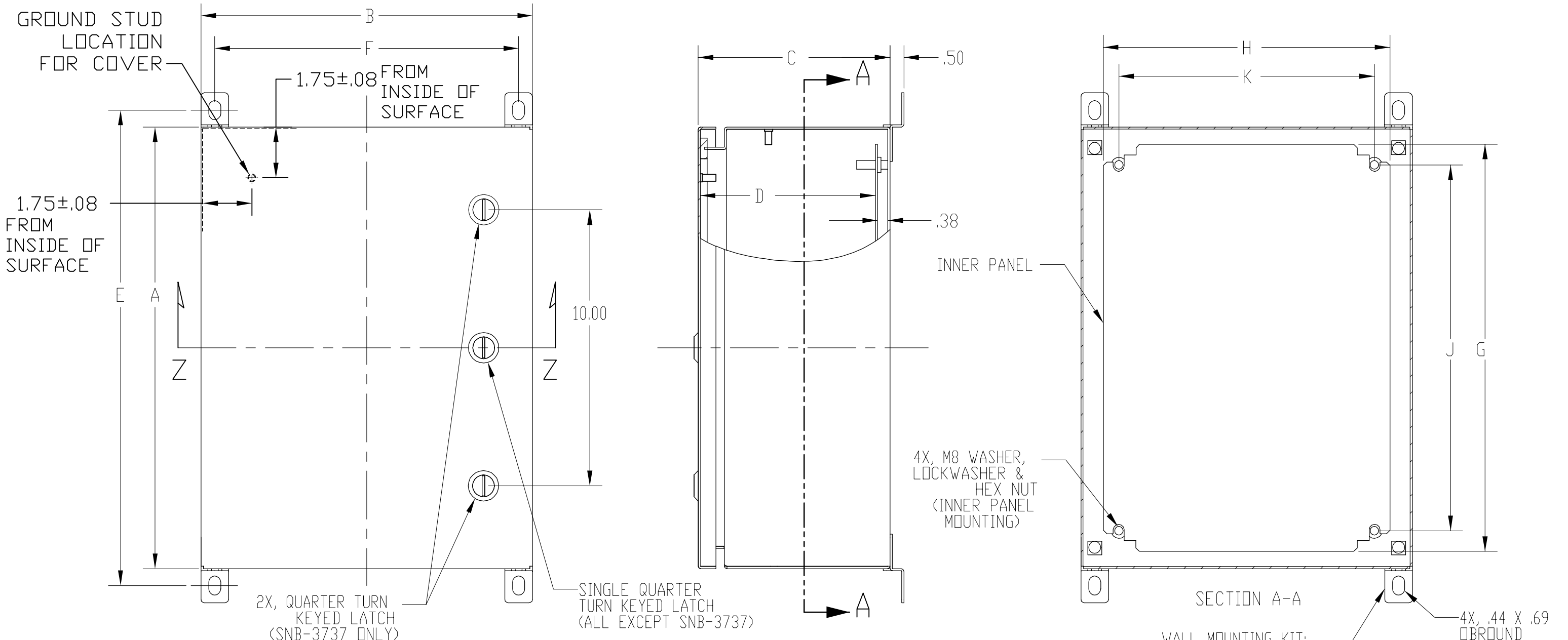
PART NAME

NEMA SHEET METAL BOX- STYLE B

PART No.

SNB-3730 THRU SNB-3737

REVISION DATE 22 JUL 08



SECTION Z-Z SHOWING BOX GROUND STUD LOCATION

ITEM NUMBER	A	B	C	D	E	F	G	H	J	K
SNB-3730	9.84	7.87	5.91	5.33	11.14	6.87	8.46	5.91	6.89	4.92
SNB-3731	11.81	9.84	5.91	5.33	13.11	8.84	10.43	7.87	8.86	6.89
SNB-3732	11.81	9.84	7.87	7.29	13.11	8.84	10.43	7.87	8.86	6.89
SNB-3733	11.81	11.81	5.91	5.33	13.11	10.81	10.43	9.84	8.86	8.86
SNB-3734	11.81	11.81	7.87	7.29	13.11	10.81	10.43	9.84	8.86	8.86
SNB-3735	15.75	11.81	5.91	5.33	17.05	10.81	14.37	9.84	12.80	8.86
SNB-3736	15.75	11.81	7.87	7.29	17.05	10.81	14.37	9.84	12.80	8.86
SNB-3737	15.75	15.75	7.87	7.29	17.05	14.75	14.37	13.78	12.80	12.80

WALL MOUNTING KIT: (4X, BRACKET, BOLT, FLAT WASHER, LOCK WASHER, & NUT)

MATERIAL:  
 BODY & COVER - 16 GA. [.062" (1.5mm)] COLD ROLLED STEEL  
 PANEL - 14 GA. [.078" (2mm)] COLD ROLLED STEEL  
 MOUNTING BRACKETS AND HARDWARE - 14 GA. [.078" (2mm)] STAINLESS STEEL  
 GASKET - NEOPRENE

FINISH:  
 BODY & COVER - LIGHT GRAY POWDER COAT PAINT  
 PANEL - ZINC CHROMATE  
 MOUNTING BRACKETS - NATURAL

DIMENSIONS ARE IN INCHES